

(2) CORR. ANGLES
AT 1/3 POINTS
SUPPLIED BY E.W.C.

SEE A FOR
TOP CONNECTION

6" STUD

1/4" 3"

3/16" 1"

PL. 1/4"x1 1/2"x5"
SUPPLIED BY E.W.C.

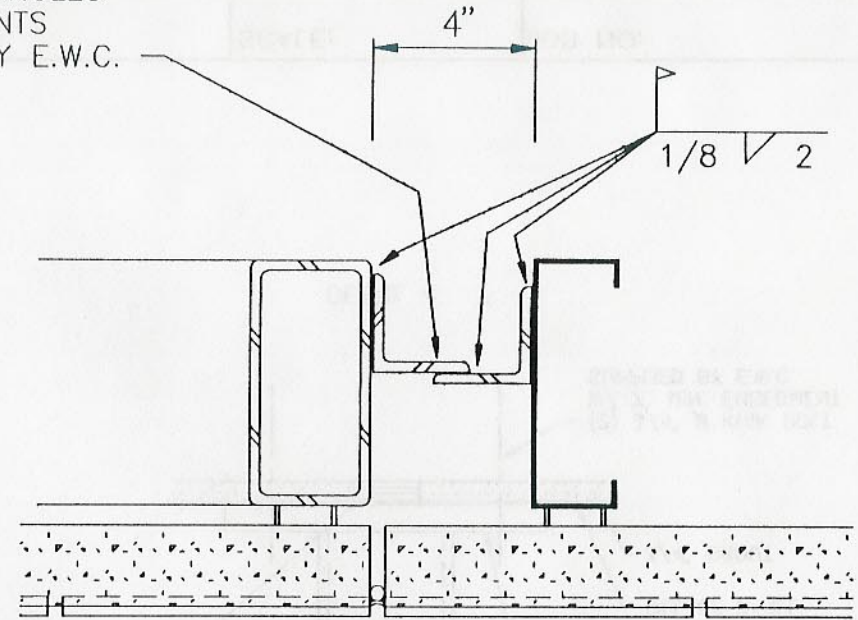
1/2" (±) SHIM SPACE
SUPPLIED BY E.W.C.

TS HEADER IN PANEL

1"
SUPPORT ANGLE
SUPPLIED BY E.W.C.

TS IN PANEL

BTM. OF ANGLE
ELEV.



DETAIL A

NOTE:
CONCRETE NOT SHOWN
FOR CLARITY

SCALE:	JOB NO:
DRAWN: DW	DRAWN NO: INSERT-6

PROJECT: HEADER PANEL CONNECTION	DATE:
----------------------------------	-------